

3.5" SubCompact Board System with 8th Generation Intel® Core™ i7/i5/i3/Celeron® Processor SoC



## Features

- Intel® Core™ i7/i5/i3/Celeron Processor SoC
- Non-ECC DDR4 SODIMM Slot x 2, up to 64GB
- VGA x 1, HDMI 2.0 x 1
- GbE x 2, SATA III x 1
- USB 3.2 Gen 2 x 4 (Up to Gen 2), RS-232/422/485 x 2
- Full size mSATA/mPCIe Slot x 1 (With Nano-SIM)
- M.2 B Key 2280 x 1, M.2 E Key 2230 x 1
- Wide DC Input 9-36V (Optional: 12V Only)



Display	
VGA/LCD Controller	Intel® 8th Generation Core™ i7/i5/i3/Celeron SoC
Video Output	VGA x 1, HDMI 2.0 x 1
Backlight inverter supply	—
I/O	
Ethernet	Intel® i210/i211 & i219, 10/100/1000Base, RJ 45 x 2
Audio	High Definition Audio Interface (Optional)
USB Port	USB 3.2 Gen 2 x 4/2.0 x 2 (Up to Gen2)
Serial Port	RS-232/422/485 x 2
Parallel Port	—
HDD Interface	SATA 3.0 x 1 SATA power connector x 1 (+5V)
FDD Interface	—
SSD	Full size mSATA/mPCIe x 1 with NANO-SIM (mSATA as default, select by BIOS) M.2 2280 B key (PCI-e as default, SATA select by BIOS)
Expansion Slot	M.2 2230 E key x 1 (For WIFI/BT, PCIe/USB signal only) SMBUS/I2C/LPC/eSPI x 1
DIO	—
SIM	x 1 (NANO-SIM)
TPM	—
Touch	—

## Specifications

System	
Form Factor	3.5" SubCompact Board System
CPU	Intel® 8th Generation Core™ i7/i5/i3/Celeron SoC i7-8665UE (4C, 1.7GHz, up to 4.4GHz) i5-8365UE (4C, 1.6GHz, up to 4.1GHz) i3-8145UE (2C, 2.2GHz, up to 3.9GHz) 4305UE (2C, 2GHz)
CPU Frequency	Up to 4.4GHz
Chipset	8th Generation Intel® Processor SoC
Memory Type	DDR4 2400 MHz SODIMM x 2 (Dual Channel, Non-ECC)
Max. Memory Capacity	Up to 64GB
BIOS	AMI UEFI
Wake on LAN	Yes
Watchdog Timer	255 Levels
Power Requirement	+9 ~ 36V (Optional: +12V)
Power Supply Type	ATX
Power Consumption (Typical)	Intel® i7-8665UE, DDR4 2400 MHz 16GB, 2.8A@+12V
Dimension (L x W)	5.75" x 4" (146mm x 101.7mm)
Operating Temperature	32°F ~ 122°F (0°C ~ 50°C)
Storage Temperature	-40°F ~ 176°F (-40°C ~ 85°C)
Operating Humidity	0% ~ 90% relative humidity, non-condensing
MTBF (Hours)	354,194
Certification	CE/FCC

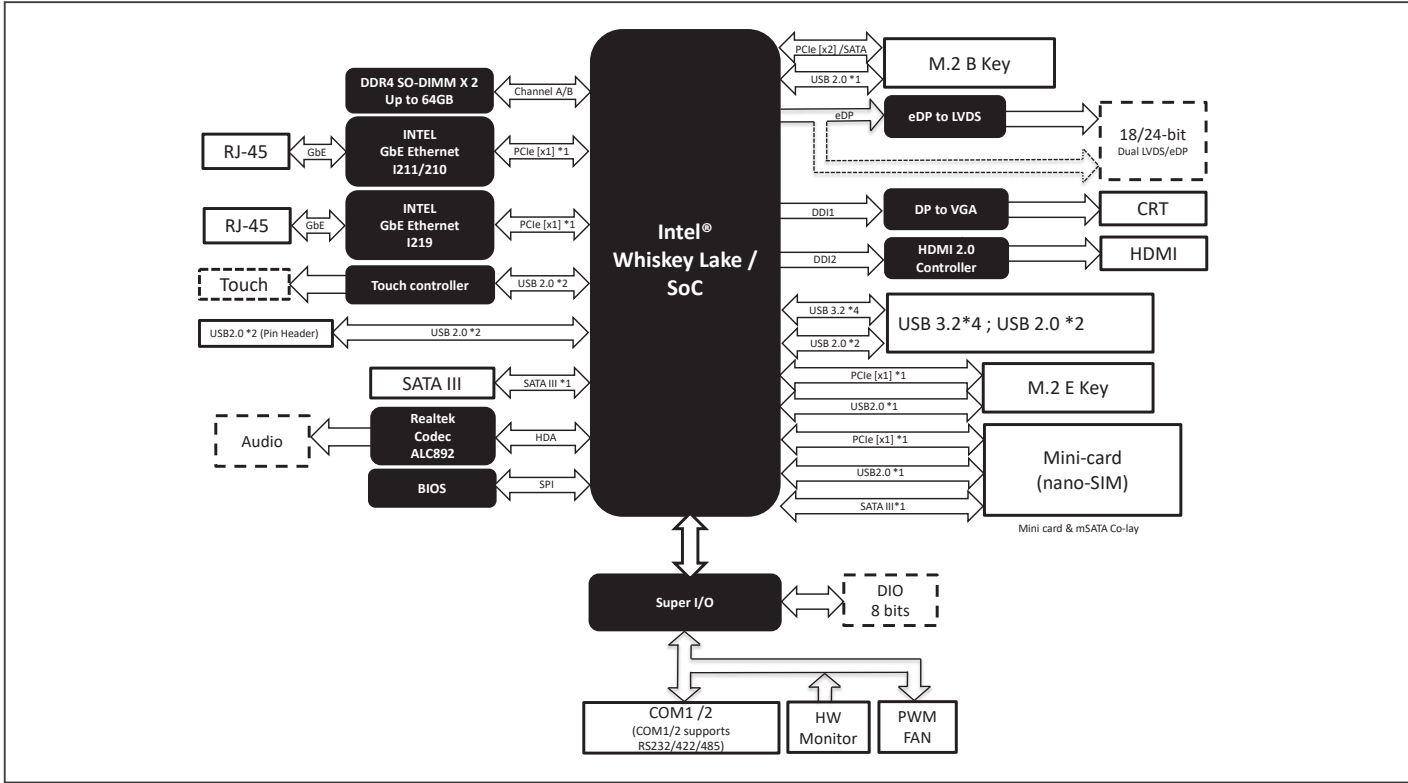
## Packing List

- GENESYS-WHU6

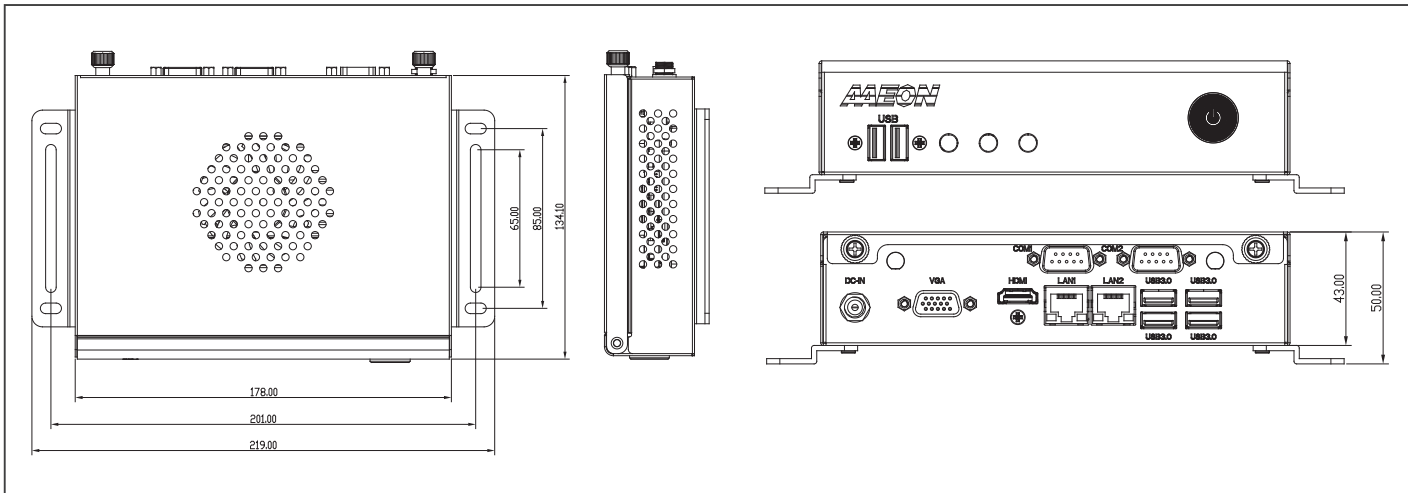
## Optional Accessories

Part Number	Description	QTY
968D4004GN	(TF)DDR4.4GB.DDR4 SODIMM.2666MT/s.512Mx8.SAMSUNG.K4A4G085WX.260P.INNODISK.M4S0-4GSSNCIK-26	1
968D4008GW	(TF)DDR4.8GB.SODIMM.2666MT/s.260Pin.512Mx8 Samsung K4A4G085WX.InnoDisk.M4S0-8GSSOCIK-26	1
968C256G22	2.5" SATA3 SSD.256GB.MLC.-10~80C.Transcend.TS256GSSD420K-AA	1
968C512G06	2.5" SATA3 SSD.512GB.MLC.-10~80C.Transcend.TS512GSSD420K-AA	1
125530060Z	Power Adapter. 12V.5A.60W. FSP060-DHAN3	1
1255300960	Power Adapter. 12V.5A.96W. FSP096-DHAN3	1
1702031802	Power Cord (US)	1
1702031803	Power Cord (Europe)	1
170203180E	Power Cord (Japan)	1
GENESYS-WHU6-HDD1	HDD Kit. For GENESYS-WHU6	1
GENESYS-WHU6-WMT1	Wall Mount Kit. For GENESYS-WHU6	1
GENESYS-WHU6-VESA1	VESA Mount Kit. For GENESYS-WHU6	1

## Block Diagram



## Dimension Unit: mm



## Ordering Information

Part Number	CPU	Fan/Fanless	Display	Storage	LAN	USB	RS-232	RS-232/422/485	Expansion Slot	Power	Power Temp	Others
GENESYS-WHU6-A10-0001	i3-8145UE	Cooler	VGA x 1 HDMI x 1	mSATA/mPCIe x 1 (Full size) M.2 B key 2280 x 1	GbE x 2	USB 3.2 Gen 2 x 4 USB 2.0 x 2	—	2	M.2 E key 2230 x 1	9 ~ 36V	0°C ~ 50°C	Nano SIM
GENESYS-WHU6-A10-0002	i5-8365UE	Cooler	VGA x 1 HDMI x 1	mSATA/mPCIe x 1 (Full size) M.2 B key 2280 x 1	GbE x 2	USB 3.2 Gen 2 x 4 USB 2.0 x 2	—	2	M.2 E key 2230 x 1	9 ~ 36V	0°C ~ 50°C	Nano SIM
GENESYS-WHU6-A10-0003	i7-8665UE	Cooler	VGA x 1 HDMI x 1	mSATA/mPCIe x 1 (Full size) M.2 B key 2280 x 1	GbE x 2	USB 3.2 Gen 2 x 4 USB 2.0 x 2	—	2	M.2 E key 2230 x 1	9 ~ 36V	0°C ~ 50°C	Nano SIM
GENESYS-WHU6-A10-0004	4305UE	Cooler	VGA x 1 HDMI x 1	mSATA/mPCIe x 1 (Full size) M.2 B key 2280 x 1	GbE x 2	USB 3.2 Gen 2 x 4 USB 2.0 x 2	—	2	M.2 E key 2230 x 1	9 ~ 36V	0°C ~ 50°C	Nano SIM

Note: All specifications are subject to change without notice.