

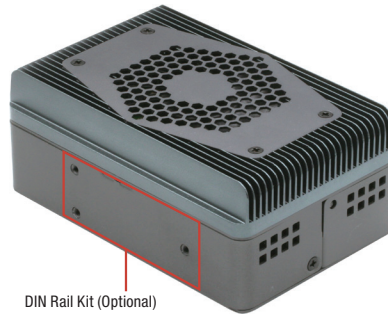
PICO-APL4-SEMI

Pico-ITX TurnKit with Intel® Atom™/ Pentium® N4200/ Celeron® N3350 Processor SoC

Front View



Rear View



DIN Rail Kit (Optional)

Features

- Extreme light system, easy to adopt everywhere
- Onboard DDR3L 2GB/4G
- Onboard Storage eMMC 32GB
- GbE x 2, HDMI x 1.4
- M.2 2280 B key for storage
- M.2 2230 E key for wireless Module
- COM x 2 (Optional)
- USB 3.2 Gen 1 x 2 (Rear IO), USB2.0 x 1 (Optional)
- Lockable DC 12V



I/O	
Storage/SSD	M.2 2280 (B Key) x 1 eMMC 32GB, up to 128GB (optional)
USB Port	USB 3.2 Gen 1 x 2 (Rear IO) USB2.0 x 2 (Internal option)
Serial Port	—
Audio	—
Expansion Slot	RS-232 x 1, RS-232/422/485 x 1 (Optional)
Certification	
Certification	CE, FCC

Packing List

- PICO-APL4-SEMI

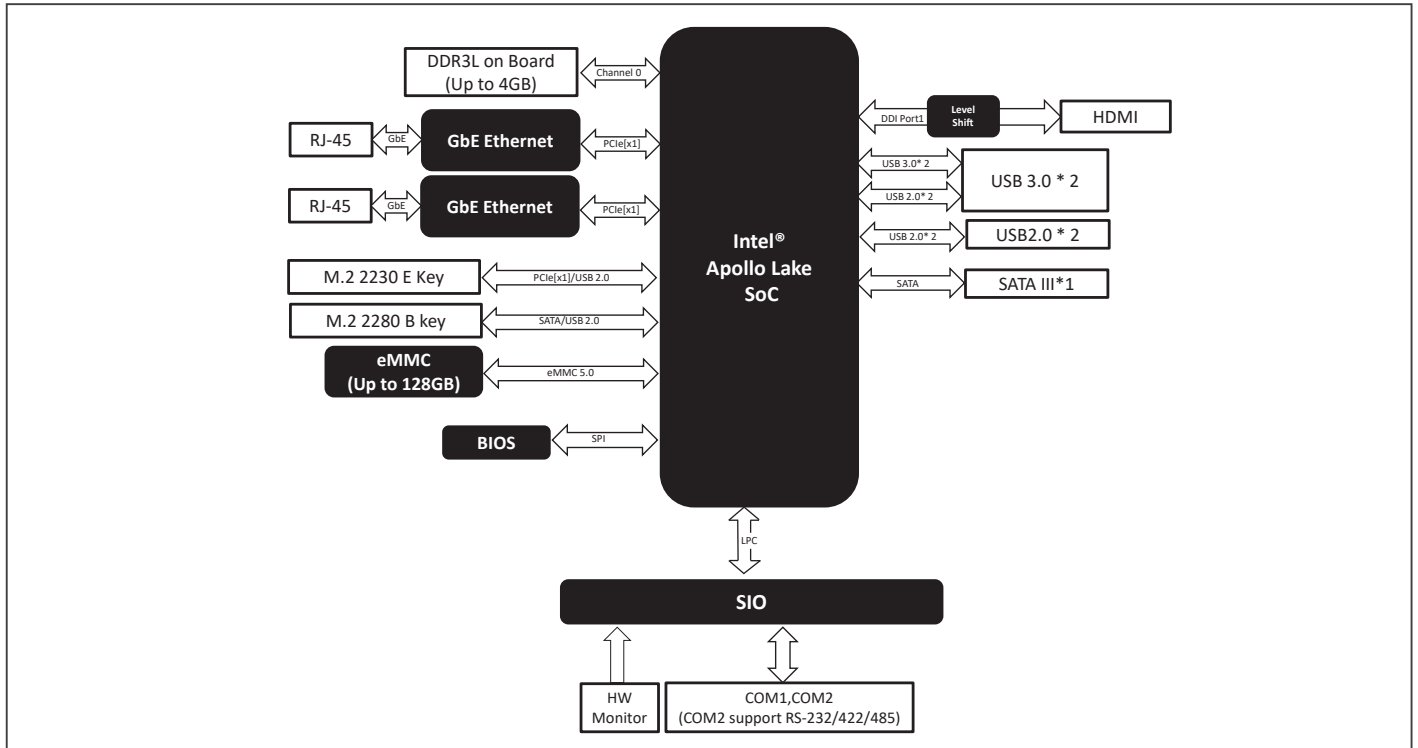
Specifications

System	
Form Factor	Pico-ITX
Processor	Intel® Pentium® N4200 (4C): 1.1GHz, up to 2.5GHz, TDP 6W Intel® Celeron® N3350 (2C): 1.1GHz, up to 2.4GHz, TDP 6W *Wait for E3900 series in 2019 within ATRF according
System Memory	DDR3L, memory down, up to 4GB
Chipset	Intel® SoC
Ethernet	Realtek 8111G x 2 10/100/1000Mbps, RJ-45 x 2
BIOS	AMI BIOS
Wake on LAN	Yes
Watchdog Timer	255 Levels
Expansion Interface	M.2 2230 E key (For WIFI/BT Module)
Power Requirement	Normal: +12V
Power Supply Type	Lockable
Power Consumption	Intel®Pentium®N4200@ 1.1GHz,DDR3L 4GB 1.43A@+12V
System Size	4.8" x 3.15" x 2" (122 mm x 72 mm x 50 mm)
Gross Weight	0.88 lb (0.4 kg)
Operation Temp.	32°F~ 122°F (0°C ~ 50°C)
Storage Temperature	-40°F ~ 176°F (-40°C ~ 80°C)
Humidity	0% ~ 90% relative humidity, non-condensing
MTBF	191,000
Display	
Chipset	Intel® SoC
Video Output	HDMI 1.4
Touch	—

Optional Accessories

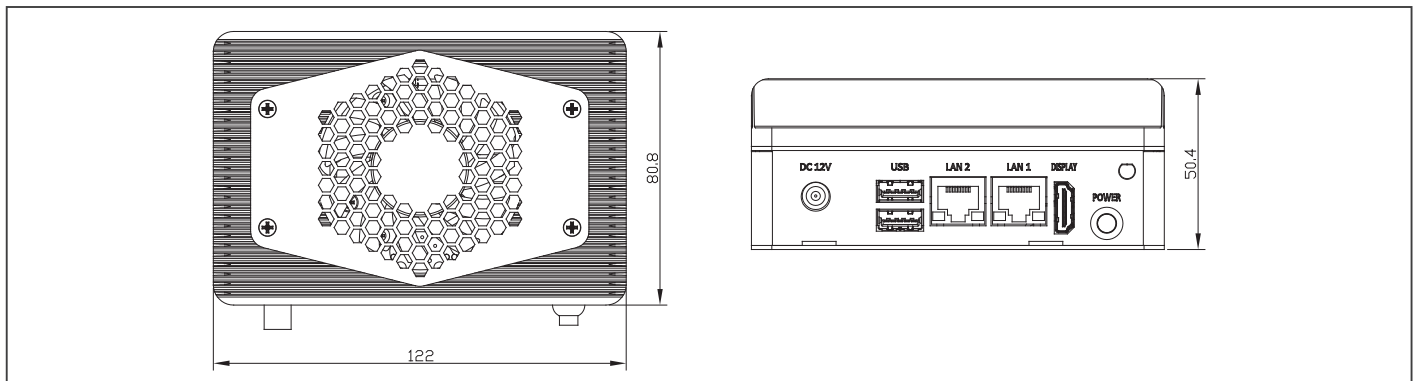
Part Number	Description	Qty.
125530040C	(TF)Power Adapter.12V.40W.FSP.FSP040-DHAN3	1
1702031802	Power Cord (US)	1
1702031803	Power Cord(European Type)	1
170203180E	Power Cord(Japan Type)	1
9761SEMI01	Din Rail Kit	1
9761SEMI00	Wall mount Kit	1
1701090122	COM Cable	2

Block Diagram



Dimension

Unit: mm



Ordering Information

Part Number	CPU	Memory	Thermal	Display	Storage	LAN	USB	RS-232	RS-232/422/485	Expansion Slot	Power	Power Temp	Others
PICO-APL4-SEMI-A10-FS01	N3350	On board DDR3L 2GB	w/Cooler	HDMI x 1	SATAIII x 1 M.2 2280 (B Key) x 1 eMMC 32GB	GbE x 2	USB 3.2 Gen 1 x 2 (Rear)	—	—	M.2 2230 (E Key) x 1	+12V (ATX)	0°C ~ 50°C	—
PICO-APL4-SEMI-A10-FS03	N4200	On board DDR3L 4GB	w/Cooler	HDMI x 1	SATAIII x 1 M.2 2280 (B Key) x 1 eMMC 32GB	GbE x 2	USB 3.2 Gen 1 x 2 (Rear)	—	—	M.2 2230 (E Key) x 1	+12V (ATX)	0°C ~ 50°C	—